



Pitch:7.5/15.0mm

## MODEL:JL370V

### 认证/CERTIFICATION

#### 材质及电镀

螺丝	M3.0, 钢, 镀锌
弹片	磷青铜, 镀镍
方针	黄铜, 镀锡
塑件	PBT, UL94V-0

#### 电气性能

参考标准	UL	IEC
额定电压	250V	450V
额定电流	16A	24A
使用线径	22-14AWG	2.5mm <sup>2</sup>
接触电阻	20mΩ	
绝缘电阻	500MΩ/DC500V	
耐电压	AC2000V/1Min	

#### 机械性能

温度范围	-30°C~+120°C
瞬时温度	+250°C 5秒
扭矩	5.10kgf-cm/0.5Nm/4.43Lbin
剥线长度	4.5-5mm

### MATERIAL

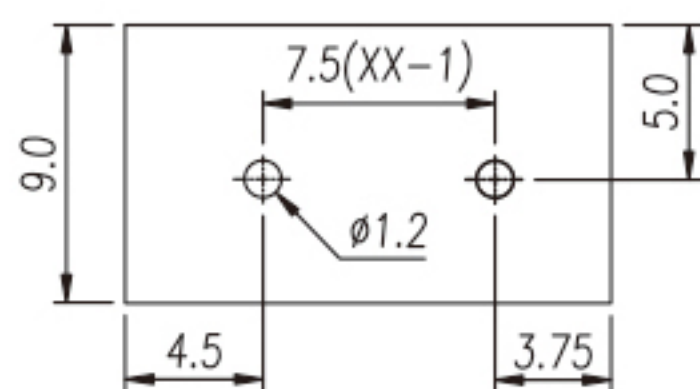
Screws	M3.0 Steel Zn plated
Shrapnel	Phosphor bronze, Ni plated
Pin header	Brass, Sn plated
Housing	PBT, UL94V-0

### ELECTRICAL

Standard	UL	IEC
Rated voltage	250V	450V
Rated current	16A	24A
Wire range	22-14AWG	2.5mm <sup>2</sup>
Contact resistance	20mΩ	
Insulation resistance	500MΩ/DC500V	
Withstanding voltage	AC2000V/1Min	

### MECHANICAL

Temp. range	-30°C~+120°C
Max. soldering	+250°C for 5 Sec
Torque	5.10kgf-cm/0.5Nm/4.43Lbin
Strip length	4.5~5mm



P.C.B. LAYOUT

