

Pitch:5.0/10.0mm

MODEL:JL103V

认证/CERTIFICATION



材质及电镀

螺丝	M2.5, 钢, 镀锌
方块	黄铜, 镀镍
焊脚	黄铜, 镀锡
塑件	PA66, UL94V-0

电气性能

参考标准	UL	IEC
额定电压	300V	250V
额定电流	16A	24A
使用线径	24-12AWG	2.5mm ²
接触电阻	20mΩ	
绝缘电阻	500MΩ/DC500V	
耐电压	AC2000V/1Min	

机械性能

温度范围	-40°C~+105°C
瞬时温度	+250°C 5秒
扭矩	4.08kgf-cm/0.4Nm/3.54Lbin
剥线长度	6-7mm

MATERIAL

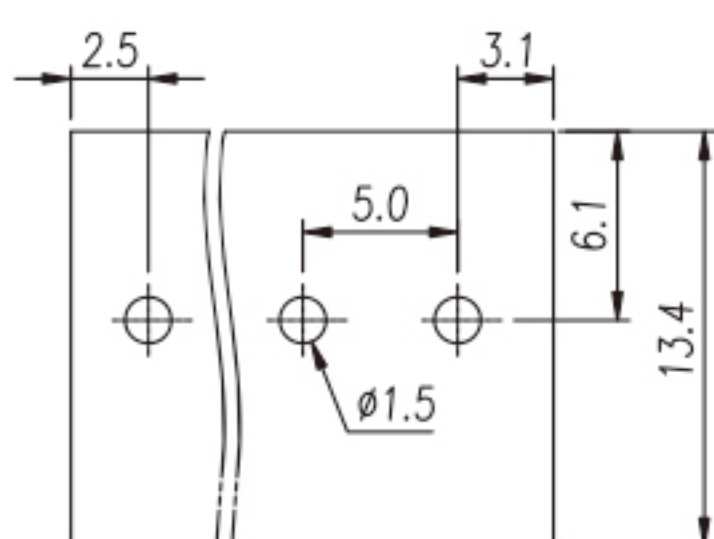
Screws	M2.5 Steel Zn plated
Cage	Brass, Ni plated
Pin header	Brass, Sn plated
Housing	PA66, UL94V-0

ELECTRICAL

Standard	UL	IEC
Rated voltage	300V	250V
Rated current	16A	24A
Wire range	24-12AWG	2.5mm ²
Contact resistance	20mΩ	
Insulation resistance	500MΩ/DC500V	
Withstanding voltage	AC2000V/1Min	

MECHANICAL

Temp. range	-40°C~+105°C
Max. soldering	+250°C 5 Sec
Torque	4.08kgf-cm/0.4Nm/3.54Lbin
Strip length	6-7mm



P.C.B. LAYOUT

