

Pitch:3.5/3.81mm

## MODEL:JL15EDGRC

### 认证/CERTIFICATION



### 材质及电镀

焊针 黄铜, 镀锡  
塑件 PA66, UL94V-0

### 电气性能

参考标准	UL	IEC
额定电压	300V	250V
额定电流	8A	7A
接触电阻	20mΩ	
绝缘电阻	500MΩ/DC500V	
耐电压	AC2000V/1Min	

### 机械性能

温度范围 -40°C~+105°C  
瞬时温度 +250°C 5秒

### MATERIAL

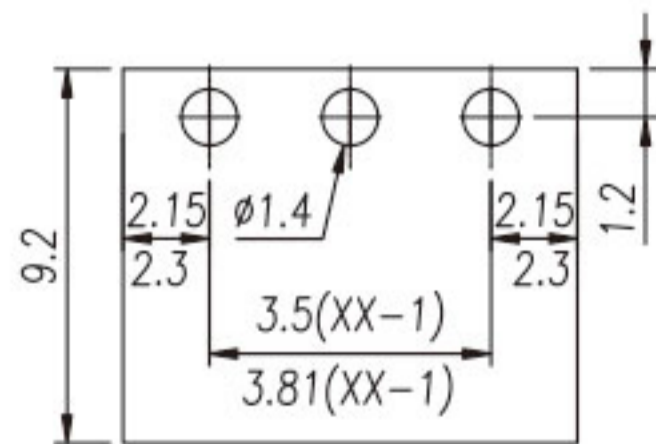
Pin header Brass, Sn plated  
Housing PA66, UL94V-0

### ELECTRICAL

Standard	UL	IEC
Rated voltage	300V	250V
Rated current	8A	7A
Contact resistance	20mΩ	
Insulation resistance	500MΩ/DC500V	
Withstanding voltage	AC2000V/1Min	

### MECHANICAL

Temp. range -40°C~+105°C  
Max. soldering +250°C for 5 Sec



P.C.B. LAYOUT

