



Pitch:10.0/10.16mm

MODEL:JL2EDGVC-10.0/10.16

认证/CERTIFICATION



材质及电镀

焊针
塑件

黄铜, 镀锡
PA66, UL94V-0

电气性能

参考标准
额定电压
额定电流
接触电阻
绝缘电阻
耐电压

UL	IEC
600V	750V
15A	20A
20mΩ	
500MΩ/DC500V	
AC2000V/1Min	

机械性能

温度范围
瞬时温度

-40°C~+105°C
+250°C 5秒

MATERIAL

Pin header
Housing

Brass, Sn plated
PA66, UL94V-0

ELECTRICAL

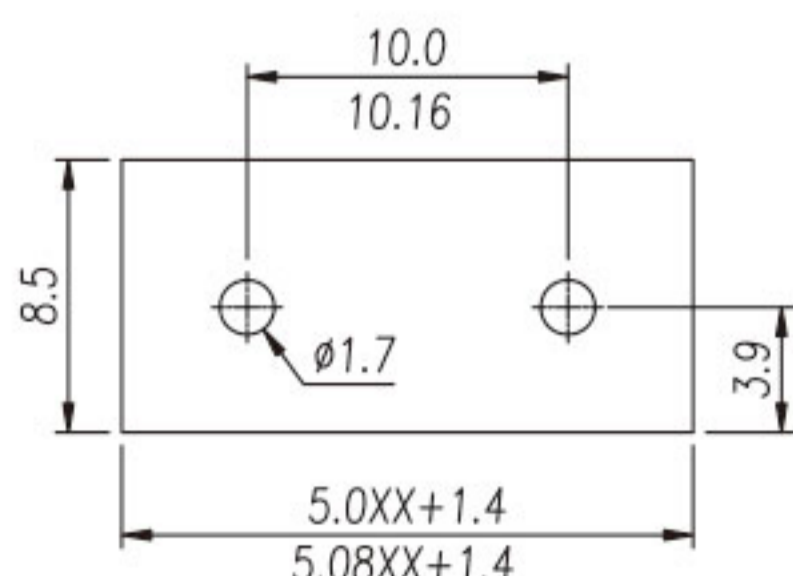
Standard
Rated voltage
Rated current
Contact resistance
Insulation resistance
Withstanding voltage

UL	IEC
600V	750V
15A	20A
20mΩ	
500MΩ/DC500V	
AC2000V/1Min	

MECHANICAL

Temp. range
Max. soldering

-40°C~+105°C
+250°C for 5 Sec



P.C.B. LAYOUT

