



Pitch:7.50/7.62mm

## MODEL:JL2EDGVM-7.5/7.62

### 认证/CERTIFICATION



### 材质及电镀

螺母	M2.5,黄铜
焊针	黄铜, 镀锡
塑件	PA66, UL94V-0

### 电气性能

参考标准	UL	IEC
额定电压	300V	450V
额定电流	15A	20A
接触电阻	20mΩ	
绝缘电阻	500MΩ/DC500V	
耐电压	AC2000V/1Min	

### 机械性能

温度范围	-40°C~+105°C
瞬时温度	+250°C 5秒

### MATERIAL

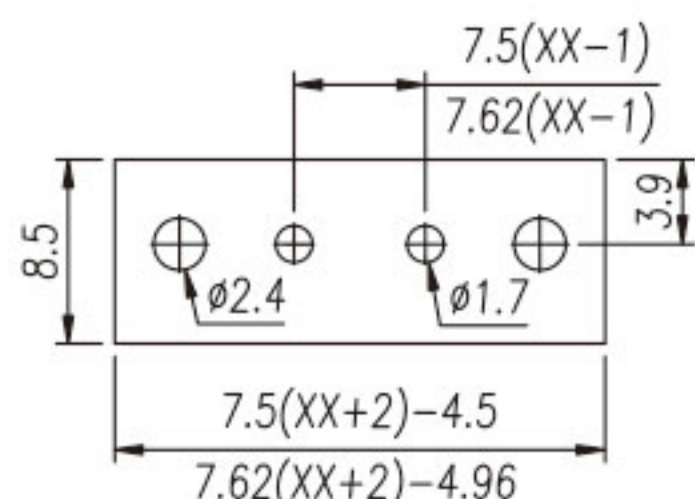
Nut	M2.5,Brass
Pin header	Brass, Si plated
Housing	PA66, UL94V-0

### ELECTRICAL

Standard	UL	IEC
Rated voltage	300V	450V
Rated current	15A	20A
Contact resistance	20mΩ	
Insulation resistance	500MΩ/DC500V	
Withstanding voltage	AC2000V/1Min	

### MECHANICAL

Temp. range	-40°C~+105°C
Max. soldering	+250°C for 5 Sec



P.C.B. LAYOUT

