



Pitch:5.0mm

MODEL:JL2EDGLF

认证/CERTIFICATION

材质及电镀

焊针 黄铜, 镀锡
塑件 PA66, UL94V-0

电气性能

参考标准	UL	IEC
额定电压	300V	450V
额定电流	12A	15A
接触电阻	20mΩ	
绝缘电阻	500MΩ/DC500V	
耐电压	AC2000V/1Min	

机械性能

温度范围 -40°C~+105°C
瞬时温度 +250°C 5秒

MATERIAL

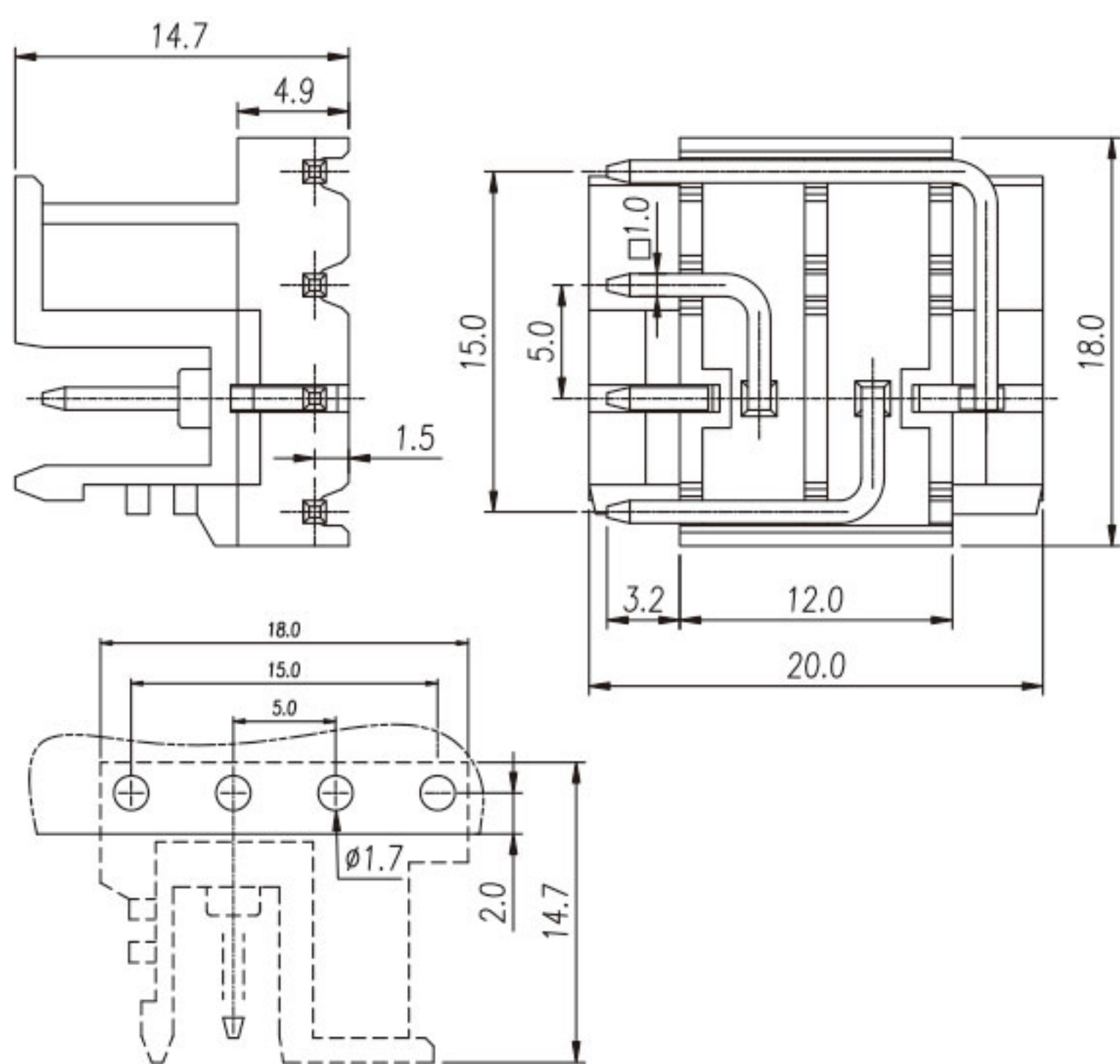
Pin header Brass, Sn plated
Housing PA66, UL94V-0

ELECTRICAL

Standard	UL	IEC
Rated voltage	300V	450V
Rated current	12A	15A
Contact resistance	20mΩ	
Insulation resistance	500MΩ/DC500V	
Withstanding voltage	AC2000V/1Min	

MECHANICAL

Temp. range -40°C~+105°C
Max. soldering +250°C for 5 Sec



P.C.B. LAYOUT