



Pitch:5.0/5.08mm

MODEL:JL2EDGVTC

认证/CERTIFICATION



材质及电镀

焊针

黄铜, 镀锡

塑件

PA66, UL94V-0

电气性能

参考标准

UL

IEC

额定电压

300V

450V

额定电流

15A

20A

接触电阻

20mΩ

绝缘电阻

500MΩ/DC500V

耐电压

AC2000V/1Min

机械性能

温度范围

-40°C~+105°C

瞬时温度

+250°C 5秒

MATERIAL

Pin header

Brass, Sn plated

Housing

PA66, UL94V-0

ELECTRICAL

Standard

UL

IEC

Rated voltage

300V

450V

Rated current

15A

20A

Contact resistance

20mΩ

Insulation resistance

500MΩ/DC500V

Withstanding voltage

AC2000V/1Min

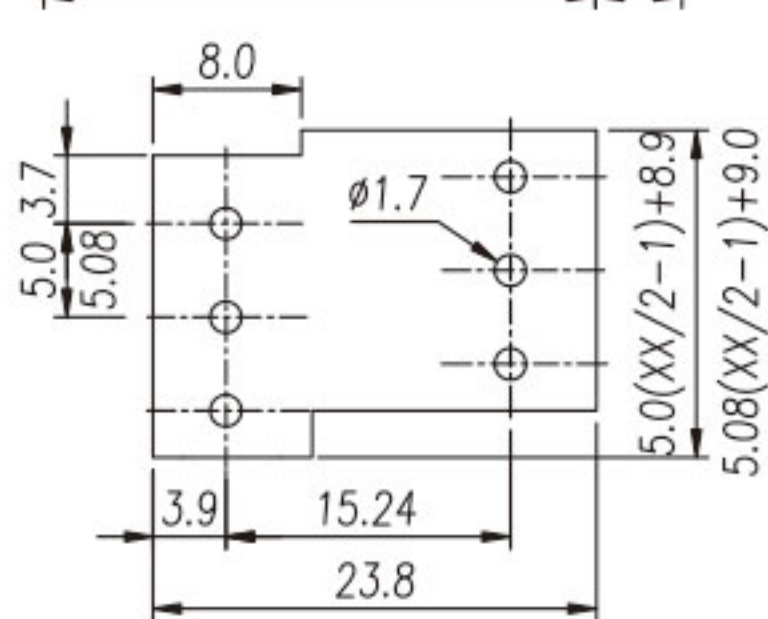
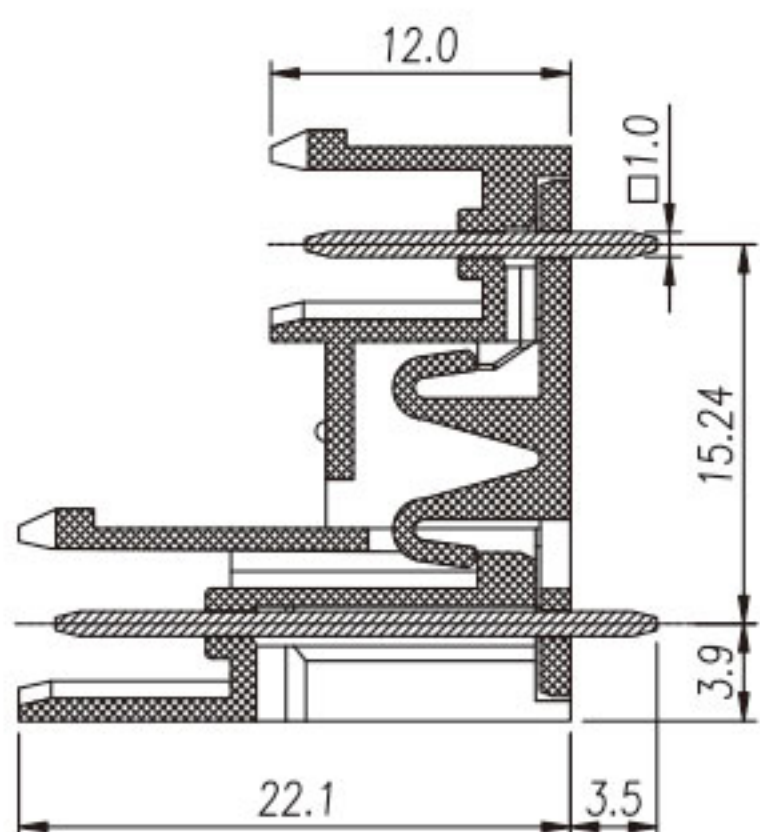
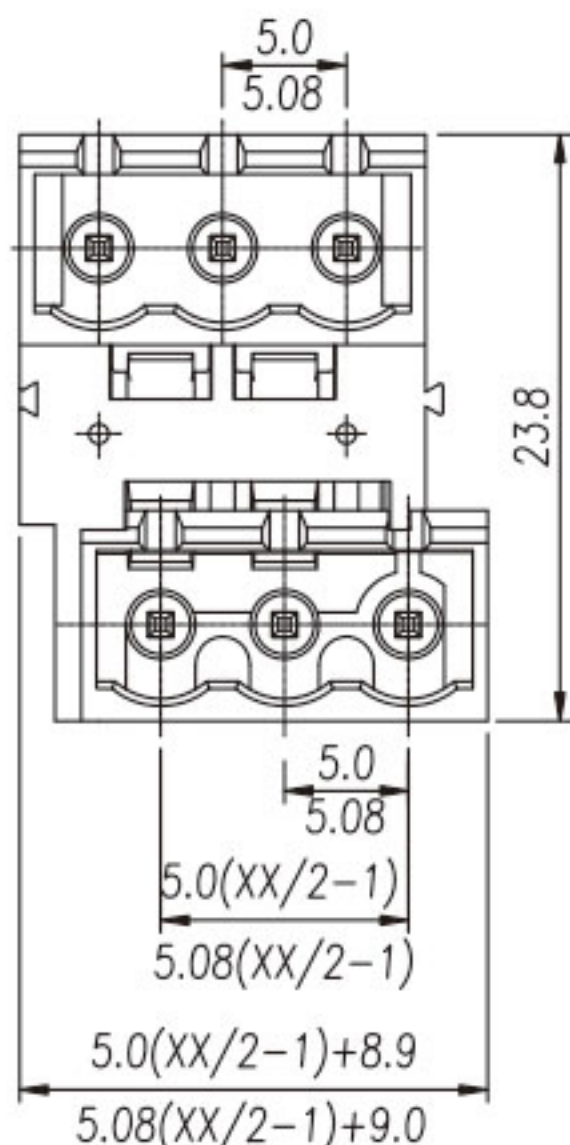
MECHANICAL

Temp. range

-40°C~+105°C

Max. soldering

+250°C for 5 Sec



P.C.B. LAYOUT