



Pitch:5.0/5.08mm

MODEL:JL2EDGRHM

认证/CERTIFICATION



材质及电镀

螺母
焊针
塑件

M2.5,黄铜
黄铜, 镀锡
PA66, UL94V-0

电气性能

参考标准
额定电压
额定电流
接触电阻
绝缘电阻
耐电压

UL	IEC
300V	450V
15A	20A
20mΩ	
500MΩ/DC500V	
AC2000V/1Min	

机械性能

温度范围
瞬时温度

-40°C~+105°C
+250°C 5秒

MATERIAL

Nut
Pin header
Housing

M2.5,Brass
Brass, Si plated
PA66, UL94V-0

ELECTRICAL

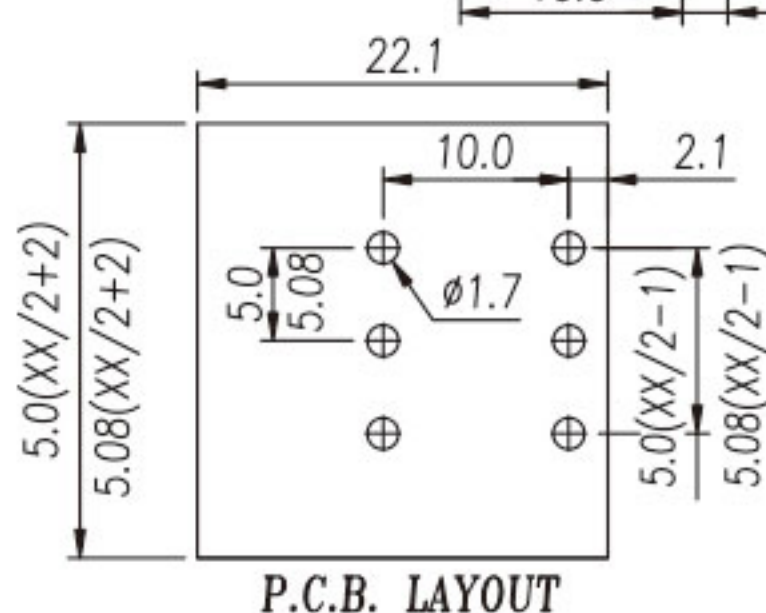
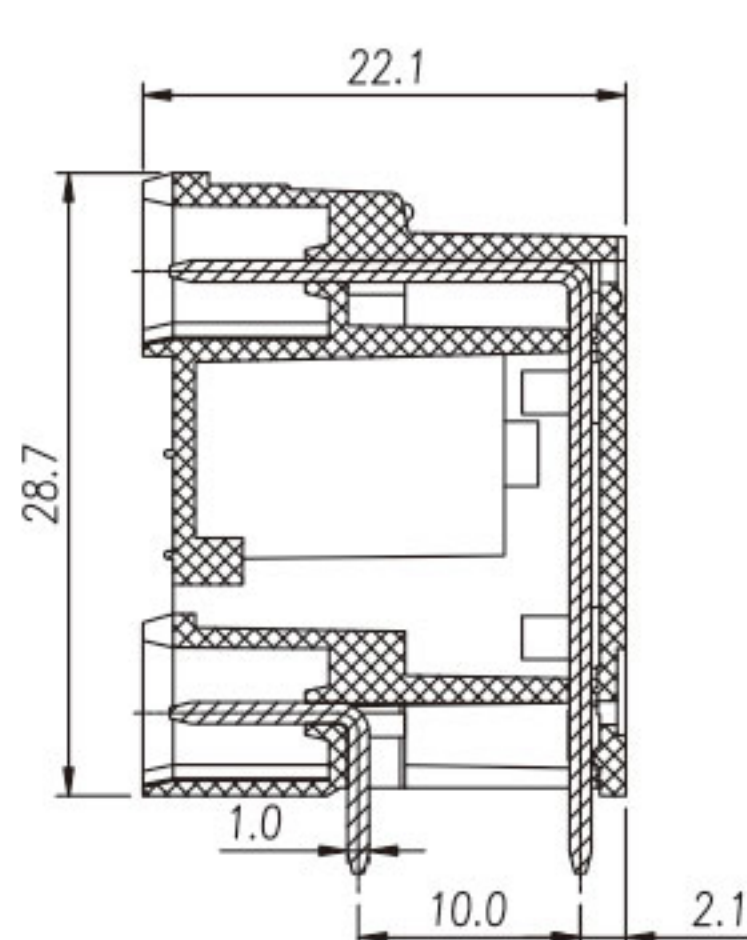
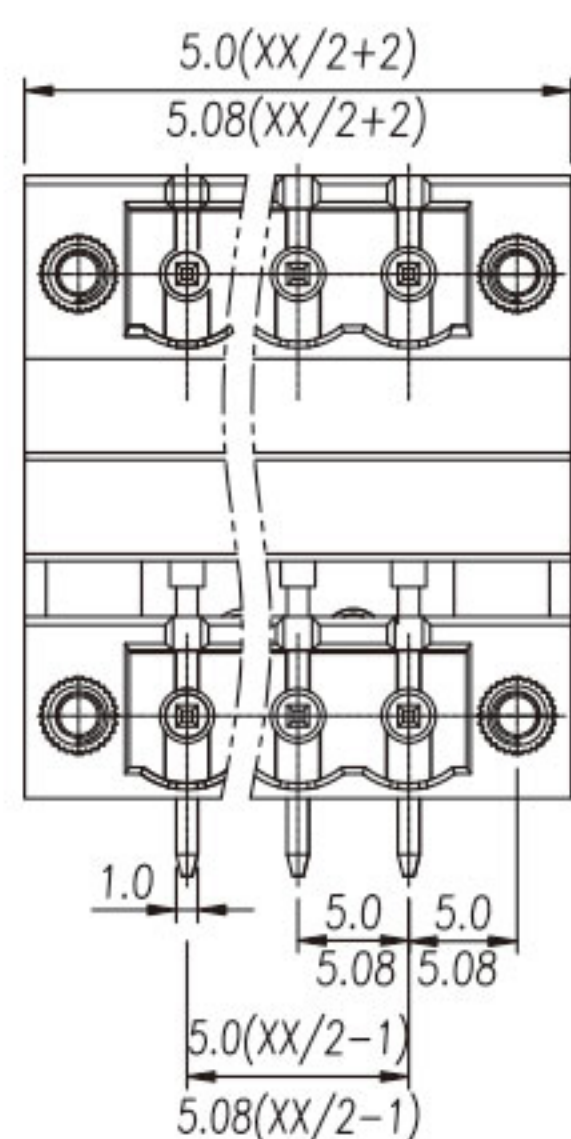
Standard
Rated voltage
Rated current
Contact resistance
Insulation resistance
Withstanding voltage

UL	IEC
300V	450V
15A	20A
20mΩ	
500MΩ/DC500V	
AC2000V/1Min	

MECHANICAL

Temp. range
Max. soldering

-40°C~+105°C
+250°C for 5 Sec



P.C.B. LAYOUT