



Pitch:2.5mm

MODEL:JL250-2.54

认证/CERTIFICATION



材质及电镀

焊针

磷青铜, 镀锡

塑件

PA66, UL94V-0

电气性能

参考标准

UL

IEC

额定电压

300V

250V

额定电流

4A

6A

使用线径

28-20AWG

0.5mm²

接触电阻

20mΩ

绝缘电阻

500MΩ/DC500V

耐电压

AC2000V/1Min

机械性能

温度范围

-40°C~+105°C

瞬时温度

+250°C 5秒

剥线长度

9-10mm

MATERIAL

Pin header

Phosphor bronze, Sn plated

Housing

PA66, UL94V-0

ELECTRICAL

Standard

UL

IEC

Rated voltage

300V

250V

Rated current

4A

6A

Wire range

28-20AWG

0.5mm²

Contact resistance

20mΩ

Insulation resistance

500MΩ/DC500V

Withstanding voltage

AC2000V/1Min

MECHANICAL

Temp. range

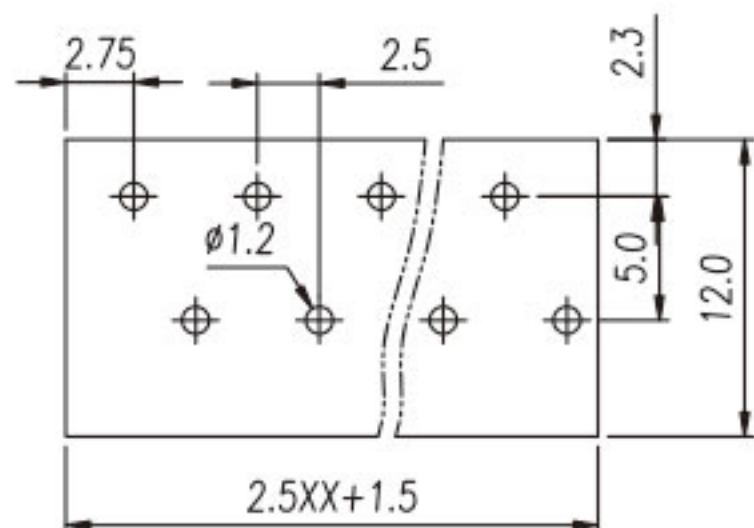
-40°C~+105°C

Max. soldering

+250°C 5 Sec

Strip length

9-10mm



P.C.B. LAYOUT

