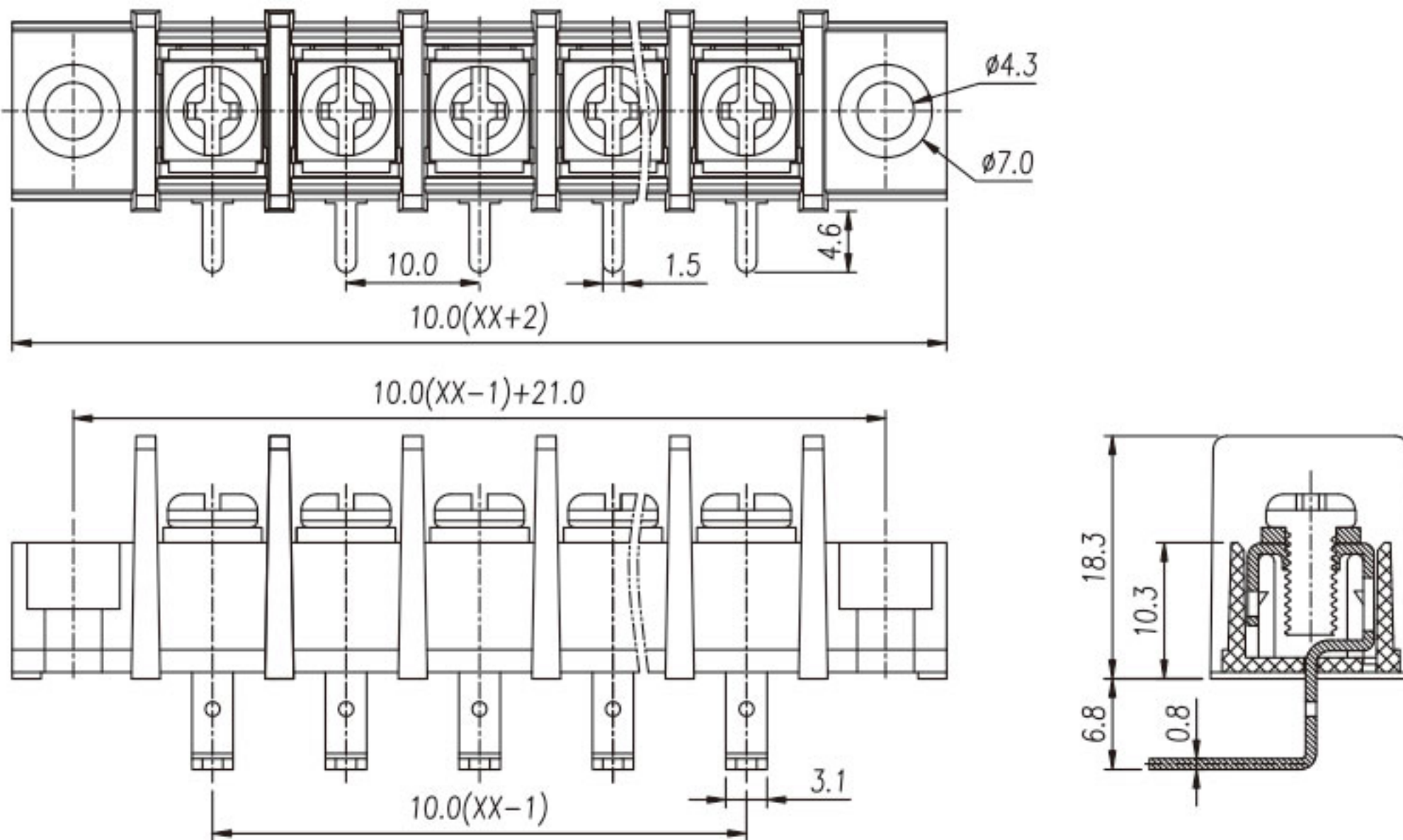




MODEL:JL55RM



| MATERIAL | |
|------------|----------------------|
| Screws | M4.0 Steel Ni plated |
| Pin Header | Brass, Sn plated |
| Housing | PA66, UL94V-0 |

| ELECTRICAL | | |
|-----------------------|----------------------------|--------------------|
| Standard | UL | IEC |
| Rated voltage | 300V | 750V |
| Rated current | 20A | 32A |
| Wire range | 22-12AWG | 4.0mm ² |
| Contact Resistance | 20m Ω | |
| Insulation resistance | 500M Ω /DC500V | |
| Withstanding voltage | AC2000V/1Min | |
| Temp. range | -40°C ~ +105°C | |
| Torque | 12.24kgf-cm/1.2Nm/10.6Lbin | |